

PİNA STAINLESS STEEL SWIMMING POOL LADDERS

Swimming pool ladders with stainless steel tubes and steps. Anchor parts, steps accessories, end rubbers and all other parts are supplied together with the unit.

ADJUSTABLE RUBBER

End rubber fits to the wall by the adjustable ball on it.

AISI 304/316 STEEL

AISI304 for standard waters and AISI316 for salty waters are available on request.

ALL IN ONE BOX

All models are supplied with a single box that includes all accessories to install the unit.



1,10MM THICKNESS

Polished, strong and heavy duty tubes have 1,1mm diameter.

42MM DIAMETER TUBE

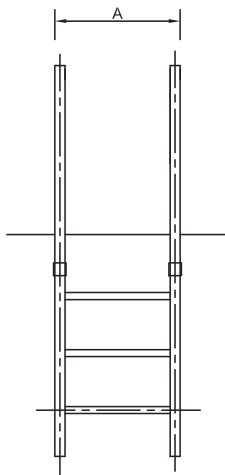
Standard tube diameter makes the unit compatible to other anchors.

MODELS

DETAILED DIMENSIONS

Code	Type	Stp.	Box Dimensions	Vol.	Weight	A(mm)	B	C	D	E	F	G	H(mm)	Dia.
CES01	Muro	2	167 x 47 x 7,5cm	0,06m ³	8 kg	500	350	620	682	183	485	235	250	Ø42
CES02	Muro	3	167 x 47 x 7,5cm	0,06m ³	9 kg	500	350	620	932	183	735	235	250	Ø42
CES03	Muro	4	193 x 47 x 8,0cm	0,07m ³	11 kg	500	350	620	1182	183	985	235	250	Ø42
CES04	Muro	5	217 x 47 x 7,5cm	0,08m ³	12 kg	500	350	620	1432	183	1235	235	250	Ø42
CES05	Standard	2	165 x 78 x 7,0cm	0,09m ³	8 kg	500	650	620	682	183	485	235	250	Ø42
CES06	Standard	3	165 x 78 x 7,0cm	0,09m ³	10 kg	500	650	620	932	183	735	235	250	Ø42
CES07	Standard	4	190 x 79 x 7,5cm	0,11m ³	12 kg	500	650	620	1182	183	985	235	250	Ø42
CES08	Standard	5	217 x 79 x 7,5cm	0,13m ³	13 kg	500	650	620	1432	183	1235	235	250	Ø42

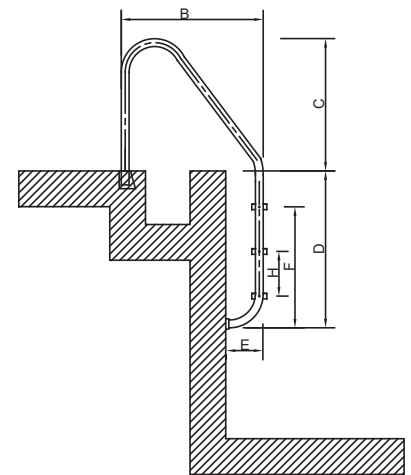
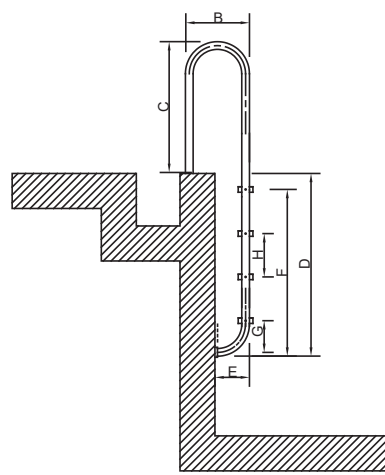
MURO



MURO MODEL



STANDART



STANDART MODEL



DISTRIBUTOR