

PINA POWER FOLDING VACUUM HEAD

The folding system makes the vacuum head flexible in the corners and intersections of the swimming pool walls. By its center brush and hydraulic design, the sediments can be cleaned without distributing them within the minimum time.

EFFICIENT

Folding wings and central vacuum makes the cleaning is more efficient and quick.

STRONGER

It has longer life against sun lights and stronger against force during operation.



FLEXIBLE

All corners and intersections can be cleaned by the folding wings.

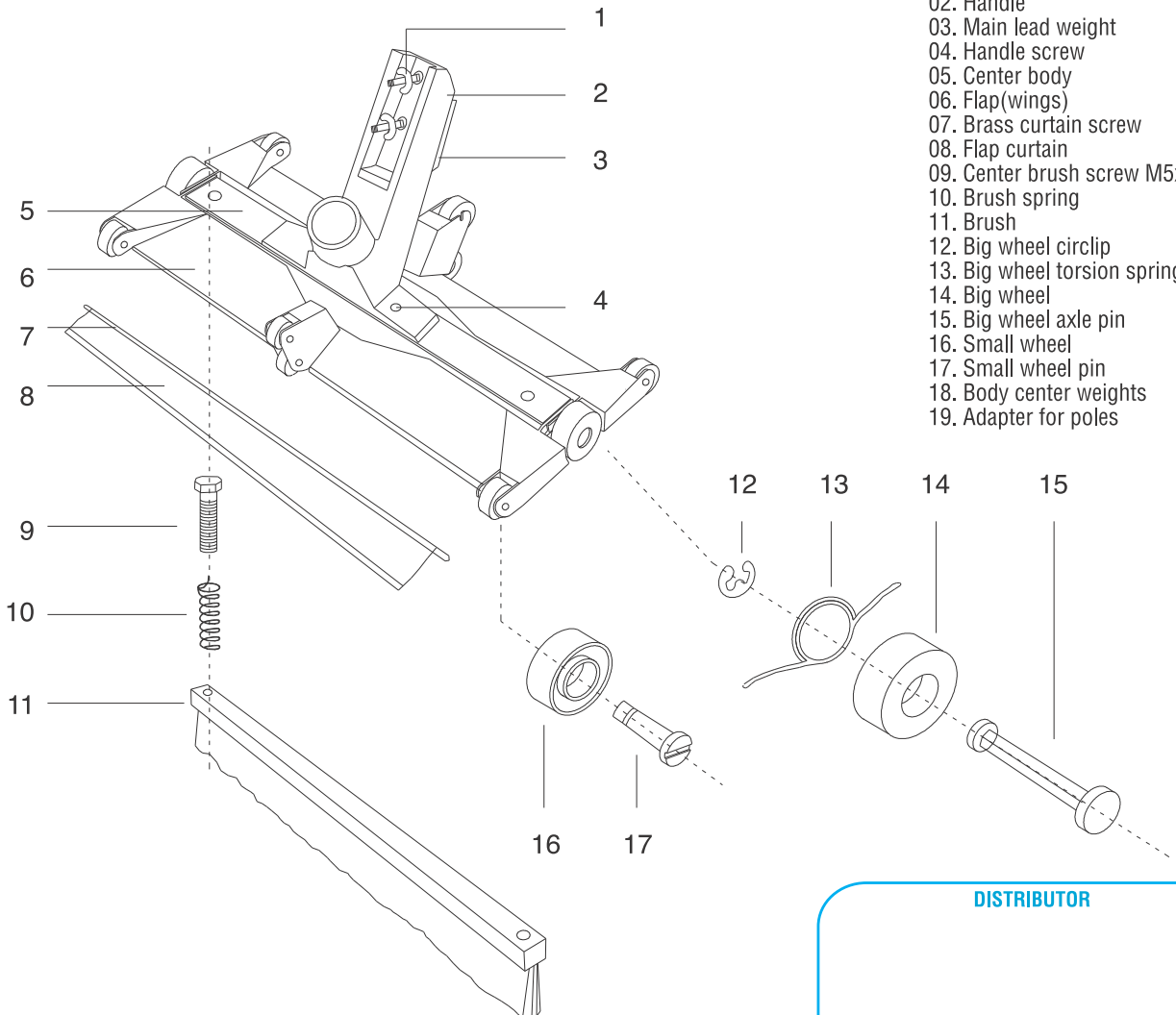
HEAVIER

In addition to the central weight, Pina Power Sweeper has 4 more weight in the corners.

High performed Pina Power Sweeper is used for efficient cleaning without losing too much time.

CODE	PRODUCT	DESCRIPTION	KUTU DETAYLARI	WEIGHT NET/	GROSS/
BCA01	Pina Power Vacuum Head	D.50mm	48,5 x 31 x 17cm	2,90 kg	3,10kg
BCA03	Pina Power Commercial Pool Sweeper	D.50mm (D.38 with adaptor)	52,0 x 27 x 52cm		9,10kg

SPARE PARTS



01. Pole nut and screw (M6 x65)
02. Handle
03. Main lead weight
04. Handle screw
05. Center body
06. Flap(wings)
07. Brass curtain screw
08. Flap curtain
09. Center brush screw M5x40
10. Brush spring
11. Brush
12. Big wheel circlip
13. Big wheel torsion spring
14. Big wheel
15. Big wheel axle pin
16. Small wheel
17. Small wheel pin
18. Body center weights
19. Adapter for poles

DISTRIBUTOR